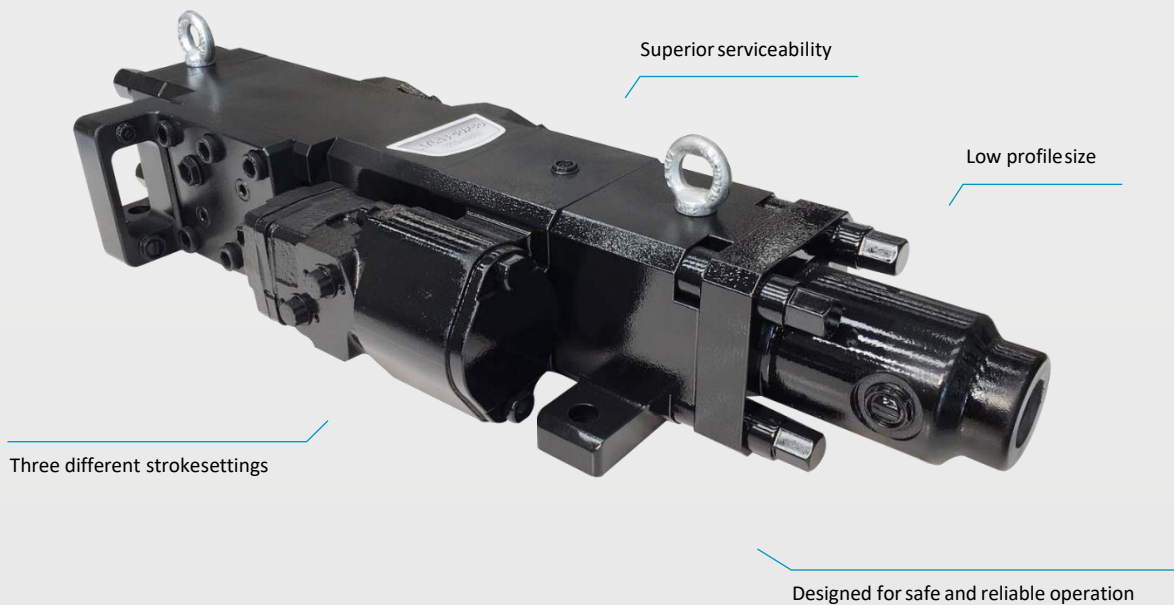


# OPTIMIZED PRODUCTIVITY

DEVELOPED FOR COST EFFICIENT SURFACE DRILLING, HIGH  
MACHINE UTILIZATION AND TROUBLE FREE OPERATION.



## DRIFTER YH35UG

### MAIN BENEFITS

- Enhanced service life through wear reduction
- Flexibility to ensure optimal drilling performance
- Quick and easy regular maintenance procedures



*The EX version comes with a built in powerful hydraulic extractor. Extractor unit upgrade kits are available.*



*Service tools are available to facilitate precise and correct machine maintenance ensuring equipment safety and performance.*



*Major and minor preventative maintenance kits are available for maintenance ease, and to ensure optimized rock drill service life.*

# Technical specifications

## Dimensions and weight

Weight	140 kg (308 lb)
Length	920 mm (36 inch)
Height	160 mm (6 inch)
Widht	340 mm (13 inch)

## Impact ratings

Impact power, max	9 kW (12 hp)
Input power to rock drill, mac	17 kW (22.8 hp)
Impact frequency	52 Hz (3120 bpm)
Drill pressure	140 bar (2030 psi)
Drill oil flow	75 l/ min (2.6 cmf)

## Rotation ratings

Rotation torque, max	270 Nm (199 lbf-ft)
Rotation speed	0 - 425 rpm
Rotation pressure, max	210 bar (3,045 psi)
Oil consumption, max	60 l/min (2.12 cfm)

## Accumulator charge pressure

Intake	55 bar (800 psi)
Return	4 bar (58 psi)

## Flushing flow and pressure

Lubricating air consumption	11 l/s at 5 bar (23.3 cfm at 72.5 psi)
-----------------------------	--

## Shank adapters

T38	90029729 / 435-21401,10
-----	-------------------------

