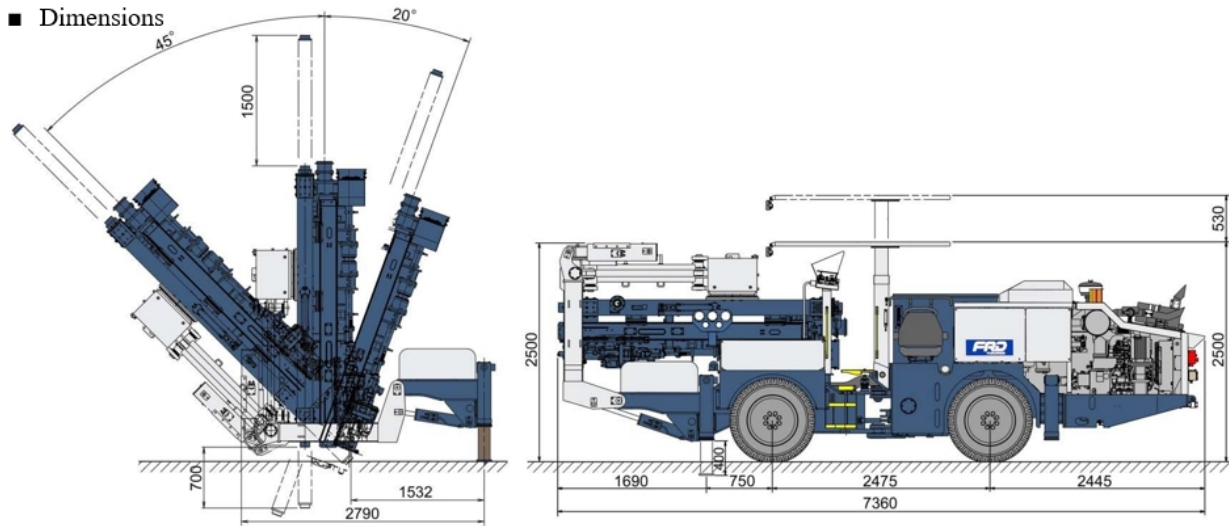


## FTH1AM-709 UNDERGROUND DRILLS



### ■ Specifications

Model	FTH1AM709
General	
Operating weight	15,000 kg
Hydraulic Drifter	HD709
Overall length	7,360 mm
Overall width	2,000 mm
Overall height(operator roof lowered)	2,500 mm
Wheelbase	2,475 mm
Traveling speed	0 ~ 8.5 km/h
Gradeability	15°
Min.turning radius(Outside)	5,800 mm
Min.turning radius(Inside)	2,900 mm
ZC14635 Guides	
Overall length	3,300 mm
Feed length	1,600 mm
Rod length	1,220 mm
ZC14635 Boom	
Boom length (minimum)	2,200 mm
Boom lift angle	up90°~down0°
Guide tilt angle	up45°~down 20°
Guide rotary angle	360°
Guide slide length	500 mm
Top anchor slide length	1,500 mm
Bottom anchor slide length	700 mm
Parallel Drilling	1,640 mm
ZC14635 Rod changer	
Rod quantity	21
Rod length	1,220 mm x T38-MFRod

Model	FTH1AM709
Engine & Power line	
Engine type	4cycle,4cylinders,Water cooled diesel
Model	V3307-DI-T
Manufacturer	KUBOTA
Rated output	55.4 kW / 2,400 min <sup>-1</sup>
Exhaust emissions certified	Tier-4 for EPA
Power Transmission	Hydro-Static Transmission (HST)
Driving type	4 wheel drive
Braking system	
Working Brake	Axle-in 4 wheel disc brake
Parking brake	Mechanical drum brake
Steering	
Type	Articulated chassis,power steering
Steering angle	±35°
Outrigger	
Type	Hydraulic cylinder, vertical hold (4pcs)
Electric equipment	
Starting method for electric motor	Y-Δ Star-delta
Total required input	115 kVA
Electric motor for power pack	55 kW
Electric motor for air compressor	22 kW
Electric motor for booster pump	5.5 kW
Electric motor for drilling line	AC400/440V(50/60Hz) AC380V(50Hz)
Cable reel	
Cable length	80 m (38m <sup>3</sup> x3 + 14m <sup>3</sup> x1)
Water supply rate	160 lit/min / in.0.1-0.4MPa